



Packaging Vents

FOR HOUSEHOLD CHEMICALS AND CLEANERS

SERIES: C300, C625, C1000

*Your Vented Household
Chemicals and Cleaners
Packaging is Safe with Us*



C300



C625



C1000



Packaging Vents

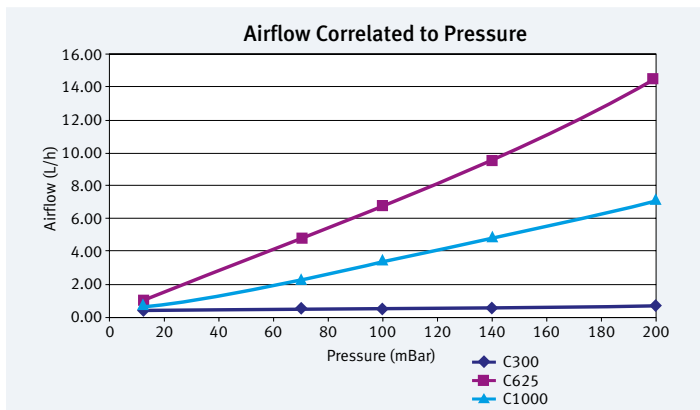
FOR HOUSEHOLD CHEMICALS AND CLEANERS
SERIES: C300, C625, C1000

PRODUCT INFORMATION



Product Performance and Characteristics

Part number	C300	C625	C1000
Water entry pressure	> 0.4 bar	> 0.34 bar	> 0.55 bar
Nominal airflow	0.39 l/h at 100 mbar	6.62 l/h at 100 mbar	3.44 l/h at 100 mbar
Temperature resistance (housing material)	-20°C to 100°C	-20°C to 100°C	-20°C to 100°C
Membrane characteristic	Oleophobic		
Plastic housing material	Polypropylene (PP)		
Color of housing material	White		
Overall diameter	Ø 3.1 mm	Ø 6.2 mm	Ø 9.9 mm
Overall length	3.3 mm	6.5 mm	7.0 mm



Nominal Airflow in Liters per Hour			
Pressure (mBar)	C300	C625	C1000
12	0.04	0.73	0.38
70	0.28	4.46	2.22
100	0.39	6.62	3.44
140	0.56	9.56	4.65
200	0.82	14.42	7.15

Consumers desire more task-specific, aggressive and ready-to-use chemicals and cleaners. Higher concentrate formulas means less transport weight, thus a reduction in both transportation costs and carbon emissions. The key to successful packaging design is to understand how these new cleaning formulations interact with the final packaging.

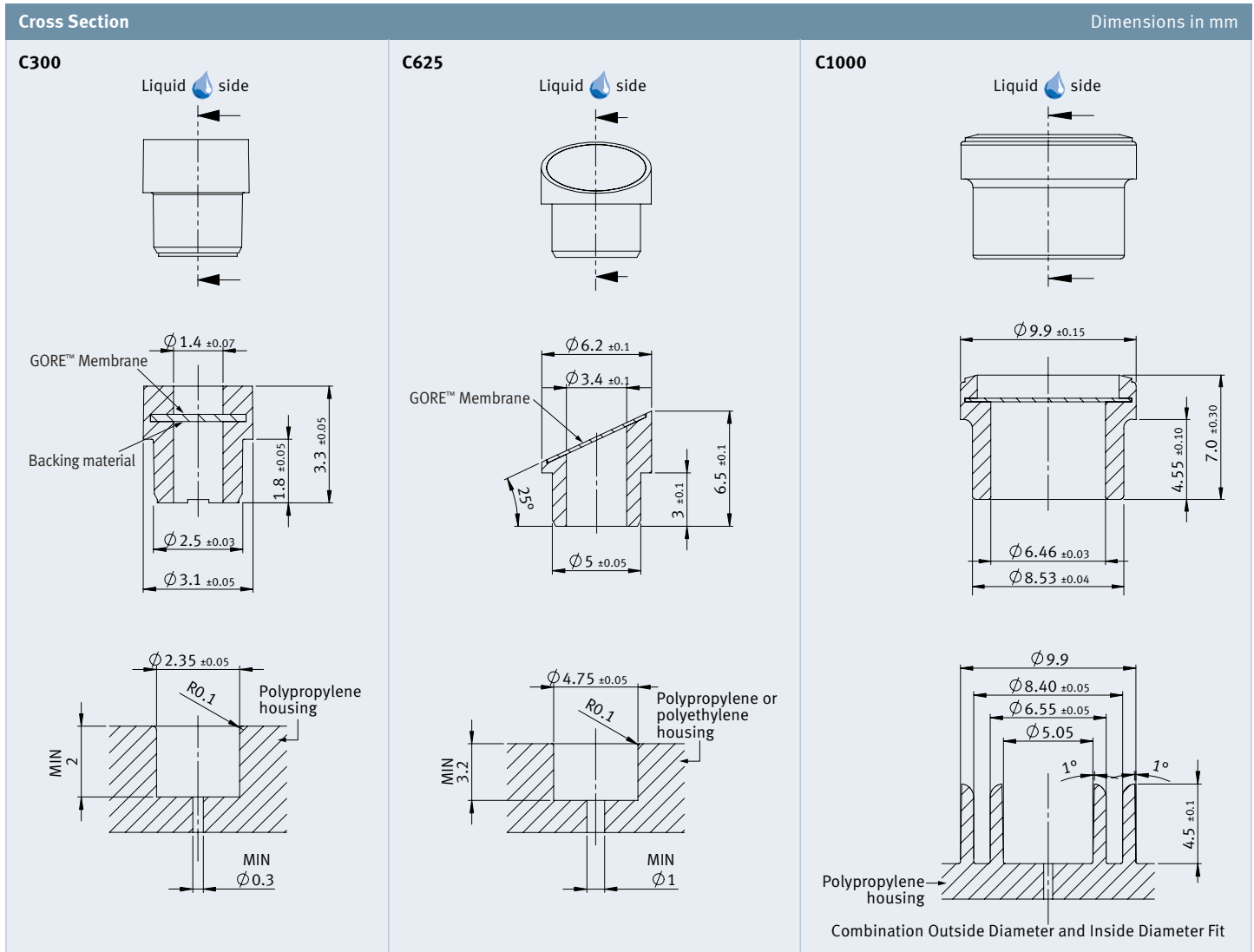
Gore understands the unique needs of household chemicals and cleaners and provides creative, technology-driven solutions to ensure package integrity. GORE® Packaging Vents offer breathable protection against liquids and contaminants while equalizing pressure to protect:

- the consumer through safe and effective venting components
- the contents of the package through high-quality and proprietary ePTFE membranes
- the brand images of Consumer Product Goods companies

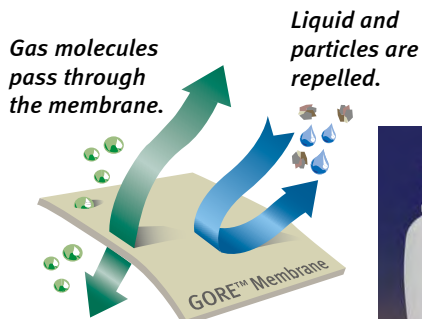
Our proprietary ePTFE membranes work with high concentration chemistries, viscous fluids and aggressive formulations. Our technical experts will work with you to:

- Troubleshoot existing packaging vent concerns
- Recommend venting solutions for new product designs
- Develop a unique venting solution that integrates easily — saving you money while protecting your brand reputation

DESIGN AND INSTALLATION GUIDELINES



FOR CONTAINERS THAT BREATHE WITHOUT LEAKING



TYPICAL APPLICATIONS

- Carpet cleaners
- Laundry stain removers and pre-treatment cleaners
- Pipe clog removers
- Mold and mildew removers
- Surface cleaners containing bleach and chlorine
- Weed killers and fertilizers
- Automotive fluids and lubricants



Packaging Vents

FOR HOUSEHOLD CHEMICALS AND CLEANERS
SERIES: C300, C625, C1000

LEAK-TIGHT FIT

The seal between the fastener and the injection molded component depends on the material, structure and stability of the closure, as well as the chemical and physical properties of the liquids being filled. Under certain circumstances, it may be necessary to adjust the dimensions or utilize additional sealing measures.

NOTES

Please note that the membrane may be damaged if not handled correctly, which can lead to leaks. Therefore, avoid touching, compressing or squeezing the membrane and avoid contact with sharp objects.

GLOBAL COLLABORATION AND EXPERT TECHNICAL SUPPORT CAPABILITIES

At Gore, we take pride in collaborating with innovation teams at leading household chemical and cleaner companies and work diligently to provide proven, practical solutions to challenging packaging problems. Our expert engineers will seek to identify and understand your unique packaging and brand requirements. We will help to recommend the appropriate venting solutions and are open to working with your global business partners to drive your innovative products through to completion.

CONTACT GORE TO LEARN ABOUT THE RIGHT GORE® PACKAGING VENT FOR YOUR UNIQUE APPLICATION

INTERNATIONAL CONTACTS

Australia	61.2.9473.6800	Mexico	52.81.8288.1281
China	86.21.5172.8299	Scandinavia	46.31.706.7800
France	33.1.5695.6565	Singapore	65.6733.2882
Germany	49.89.4612.2211	South America	55.11.5502.7800
India	91.22.6768.7000	Spain	34.93.480.6900
Italy	39.045.6209.240	Taiwan	886.2.2173.7799
Japan	81.3.6746.2572	United Kingdom	44.1506.460123
Korea	82.2.393.3411	USA	1.410.392.4440

W. L. GORE & ASSOCIATES, INC.

401 Airport Road • P.O. Box 1550 • Elkton, MD 21922-1550 • USA
Phone: 410.392.4440 • Toll-Free: 800.637.4449 • Fax: 410.506.8749 (US)
Email: packvents@wlgore.com

gore.com/packvents

FLEXIBLE PRODUCT FORMS AND EASY INTEGRATION

GORE® Packaging Vents are constructed for high-volume automated installation and simply press into place. Meeting a diverse set of customer requirements, they are available in various sizes, fitting a range of volumes from 0.2 – 5.0 liters.



These venting products are easy to integrate into new or existing designs with little or no need to modify packaging or change to production processes. With so many variations available, safe venting is only a matter of replacing your current vent or cap.



FOR INDUSTRIAL USE ONLY. Not for use in food, drug, cosmetic or medical device manufacturing, processing, or packaging operations.

All technical information and advice given here is based on Gore's previous experiences and/or test results. Gore gives this information to the best of its knowledge, but assumes no legal responsibility. Customers are asked to check the suitability and usability in the specific application, since the performance of the product can only be judged when all necessary operating data are available. The above information is subject to change and is not to be used for specification purposes.

Gore's terms and conditions of sale apply to the sale of the products by Gore.

GORE and design are trademarks of W. L. Gore & Associates.
© 2012 W. L. Gore & Associates, Inc.

